

4 WAY BALL VALVE

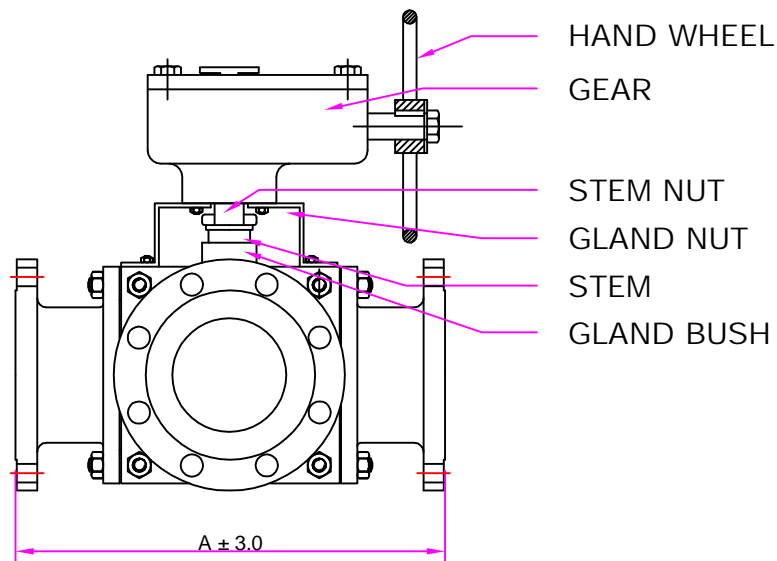
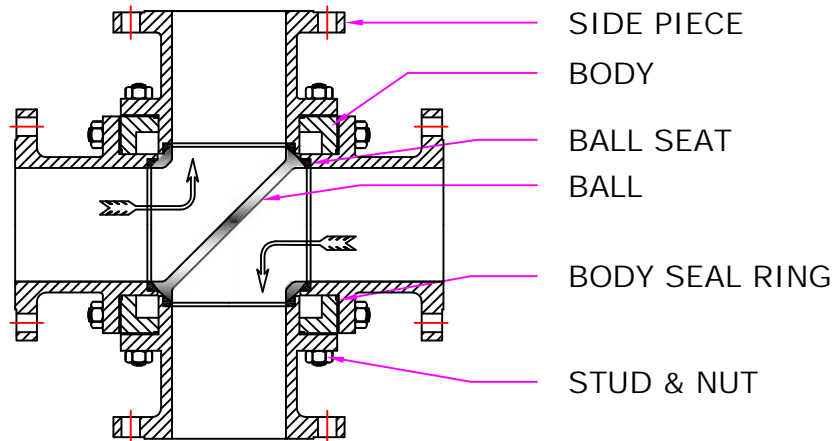
OPERATION :- GEAR OPERATED

APPLICABLE STANDARD :

MFG. STD. :- BS 5351 / API 608
 Testing std. :- BS 5146 / API 598
 Face to Face :- ANSI B 16.10
 Drilling :- ANSI B 16.5
 END CONN. :- FLANGED END

VALVE TYPES :

1) L-Port & T-Port type
 2) 3-Way & 4-Way



VALVE SIZE - INCH	1/2"	3/4"	1"	1.5"	2"	2.5"	3"	4"	6"	8"	10"	12"	
VALVE SIZE - MM	15	20	25	40	50	65	80	100	150	200	250	300	
A	150 #	108.0	117.5	127.0	165.0	178.0	190.5	203.0	228.0	266.0	292.0	330.0	356.0
	300 #	140.0	152.0	165.0	190.5	216.0	241.0	283.0	305.0	403.0	419.0	457.0	501.5



FLOW-TEK VALVES & CONTROLS INC

PLOT NO: 172-173, ROAD NO. 4, G.I.D.C.,
 KATHWADA, AHMEDABAD - 382430
 (M) : 09824080899, 09824539702
 PHONE : (079) 22900220, 22900219
 E-MAIL : info@flowagevalves.com, hemal21386@gmail.com
 url : www.delugecontrolvalve.com, www.flowagevalves.com
 AN ISO 9001:2008 CERTIFIED COMPANY